

# FILTER TAP

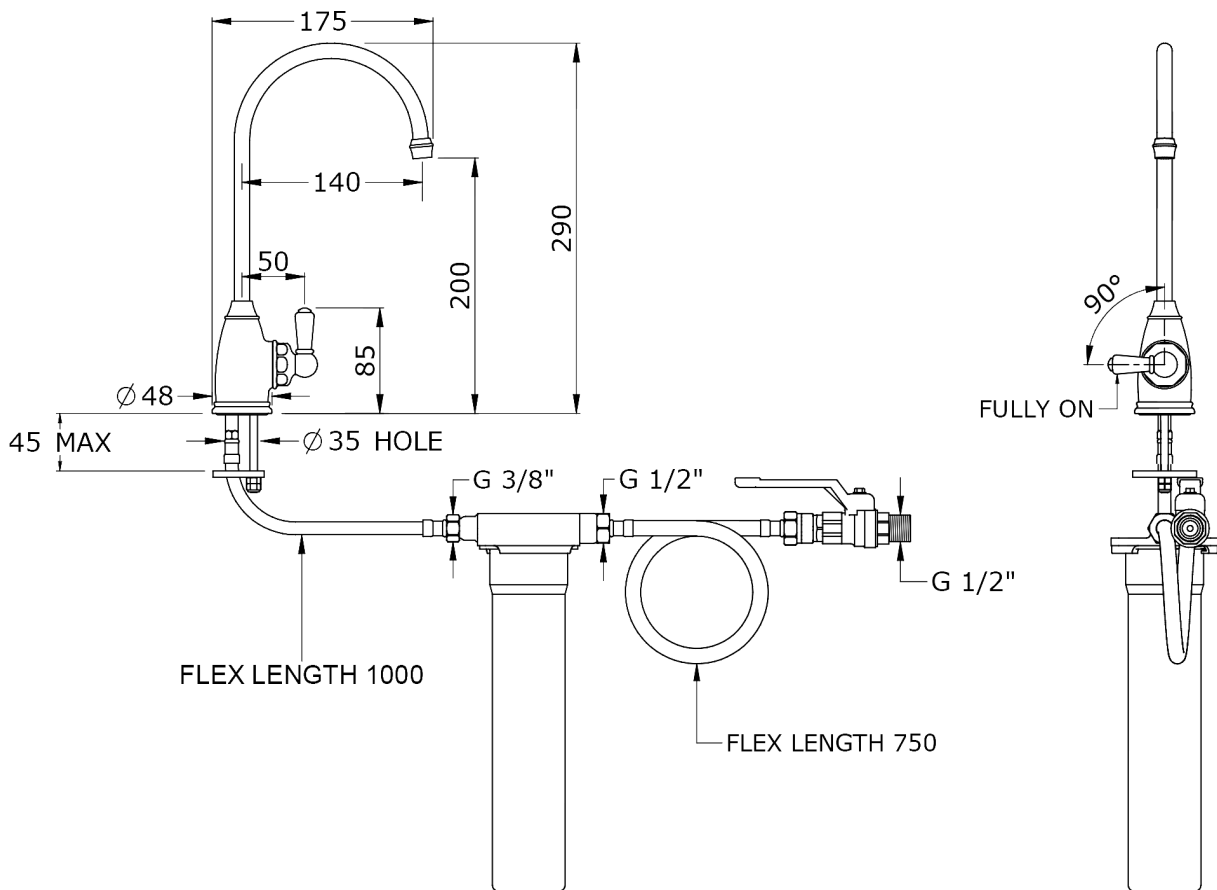
## UK PRODUCT SPECIFICATION

deVOL

### Mini Filtration Tap - Deck Mounted with Lever Handle

- Handcrafted in the UK by Perrin & Rowe.
- 1/4 turn ceramic disc flow control.
- Vernier insert for accurate handle alignment.
- Supplied with white ceramic lever handle.
- Flow regulated filtration for optimal performance.
- Stainless steel filter housing.
- Swiss-made Katadyn filter with activated carbon core.
- Filters down to 0.2 microns.
- Reduces chlorine, odour and bad taste.
- Heavy metal removal.
- Filter replacment every 6 months recommended.
- Available in an Aged Brass finish.

ALL UNITS IN MM UNLESS STATED OTHERWISE



*Temp Range*      Min 1°C / 34°F  
 Max 70°C / 158°F

*Recommended Working Pressure*      Min 1 bar / 15 psi  
 Max 5 bar / 75 psi

*Packed Weight*      1.33 kg