

POT FILLER TAP

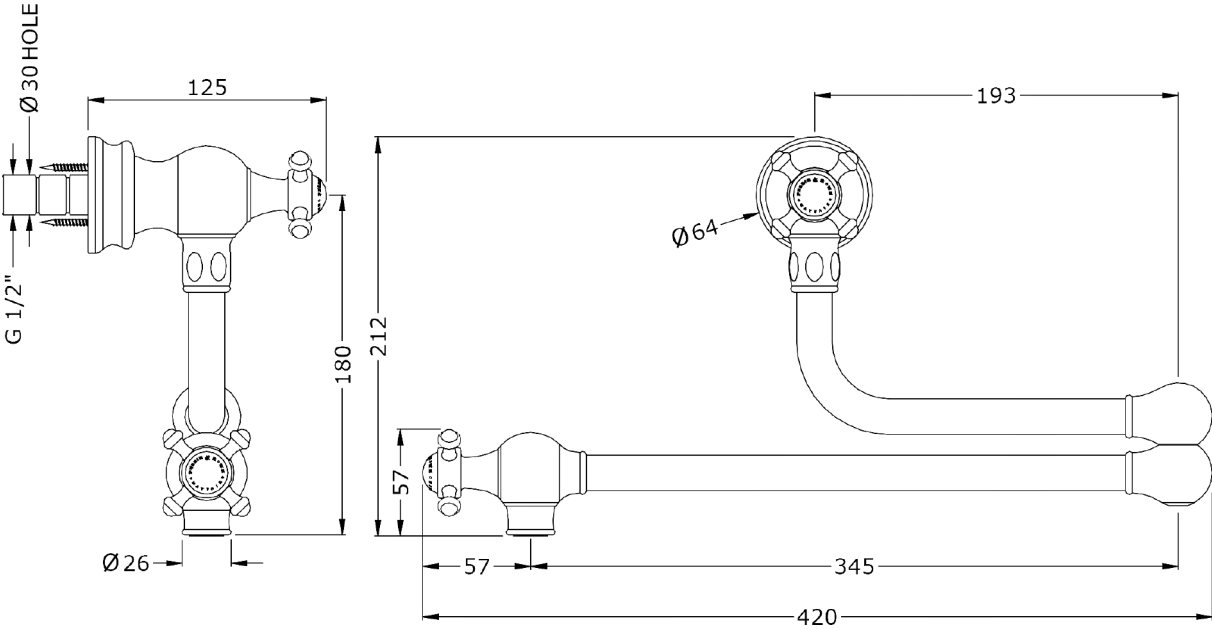
UK PRODUCT SPECIFICATION

deVOL

Pot Filler Tap - Wall Mounted with deVOL branded Crosshead Handles

- Handcrafted in the UK by Perrin & Rowe.
- 1/4 turn ceramic disc flow control.
- Vernier insert for accurate handle alignment.
- Unique handle design with integral bearing ring.
- Fully extended reach 605mm.
- Mounting wall plugs/screws and plate supplied.
- Concealed wall fixings.
- Available in Aged Brass, Chrome & Nickel finishes.

ALL UNITS IN MM UNLESS STATED OTHERWISE



Temp Range Min 1°C / 34°F
 Max 70°C / 158°F

Flow Rate 1 bar: 4.4 LPM
 2 bar: 7.2 LPM
 3 bar: 8.1 LPM

Recommended Working Pressure Min 1 bar / 15 psi
 Max 5 bar / 75 psi

Packed Weight 3.15 kg