

# MAYAN TAPS

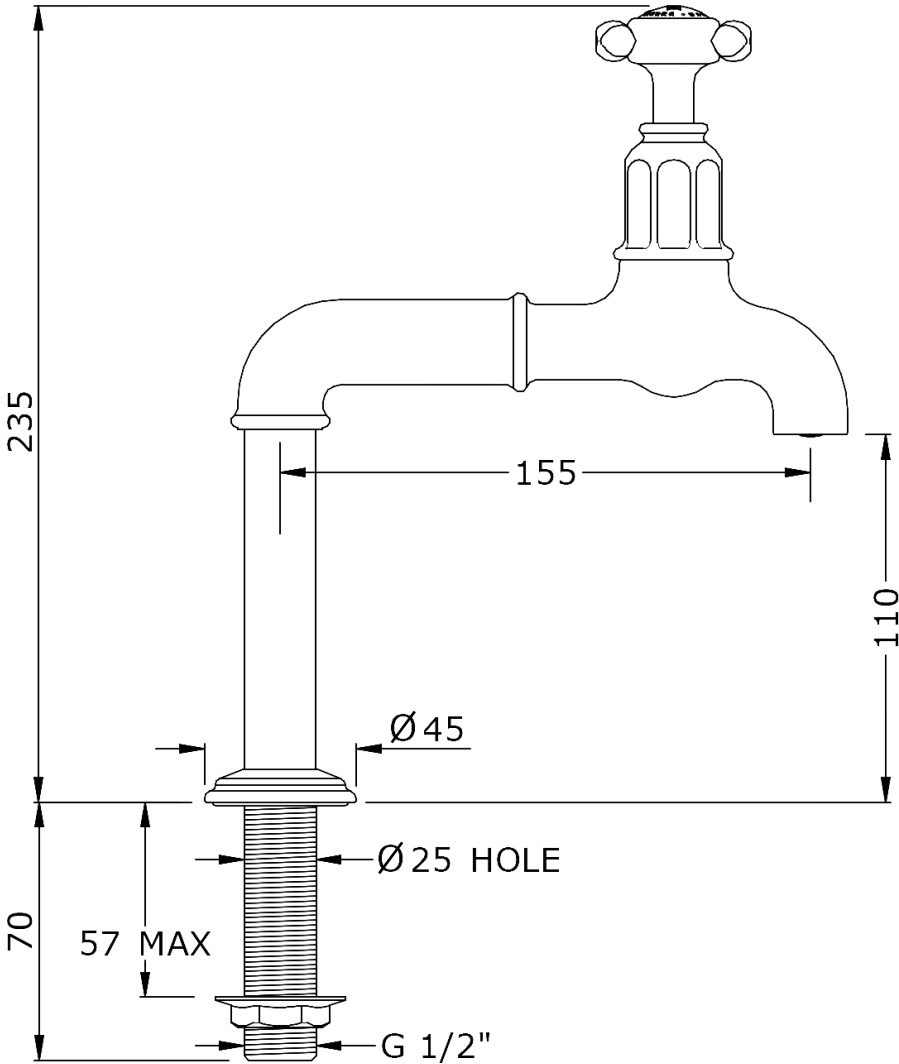
## UK PRODUCT SPECIFICATION

deVOL

Mayan Bibcock Taps (Pair) - Deck Mounted, deVOL branded Crosshead Handles

- Handcrafted in the UK by Perrin & Rowe.
- 1/4 turn ceramic disc flow control.
- Vernier insert for accurate handle alignment.
- Unique handle design with integral bearing ring.
- Regulated aerator spout.
- Available in Aged Brass, Chrome & Nickel finishes.

ALL UNITS IN MM UNLESS STATED OTHERWISE



|                   |                                    |                                     |   |
|-------------------|------------------------------------|-------------------------------------|---|
| <i>Temp Range</i> | Min 1°C / 34°F<br>Max 70°C / 158°F | <i>Recommended Working Pressure</i> | Min 0.5 bar / 7.5 psi<br>Max 5 bar / 75 psi |
|-------------------|------------------------------------|-------------------------------------|---|

|                  |         |                      |        |
|------------------|---------|----------------------|--------|
| <i>Flow Rate</i> | 5.0 LPM | <i>Packed Weight</i> | 3.1 kg |
|------------------|---------|----------------------|--------|